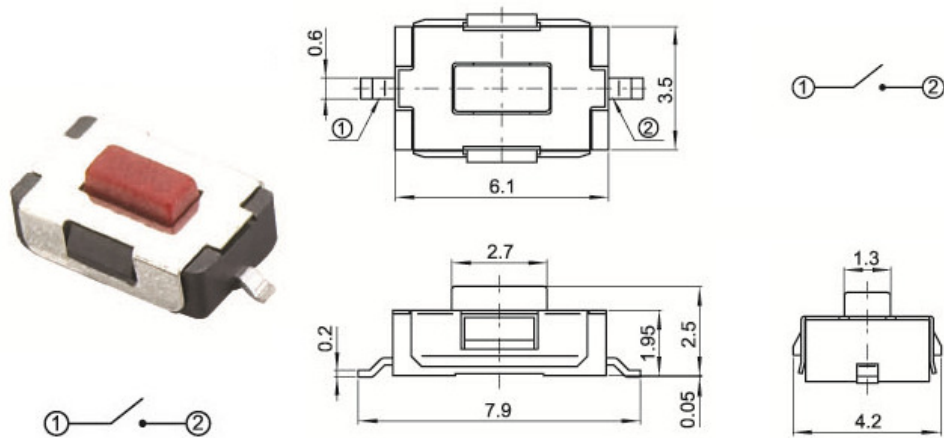


PART NUMBER: SMD-3560-10

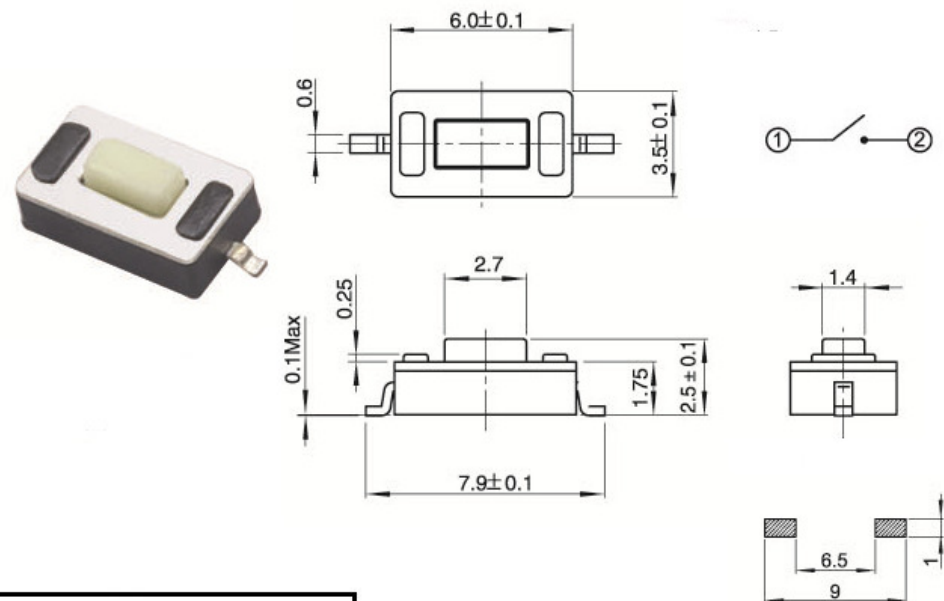
DESCRIPTION: 3.5X6.1X2.5mm 3.5x6.0 SMD TACT SWITCH

ROHS COMPLIANT



PART NUMBER: SMD-3560-11

DESCRIPTION: 3.5X6.1X2.5mm 3.5x6.0 SMD TACT SWITCH



SPECIFICATIONS

| Items | | Standard |
|-----------------------------|-----------------------|--------------------|
| Operating temperature range | | -30°C to +85°C |
| Electrical performance | Rating | 50mA. 12V DC |
| | Insulation resistance | 100MΩ min. 100V DC |
| | Dielectric strength | 250V AC for 1 min. |
| | Contact resistance | 100mΩ max. |
| Durability | Lifetime | 30,000 Cycles |
| Mechanical performance | Operating force | 180gf 250gf |
| | Travel | 0.25 ± 0.1mm |

Dimensional tolerance +/- 0.2mm